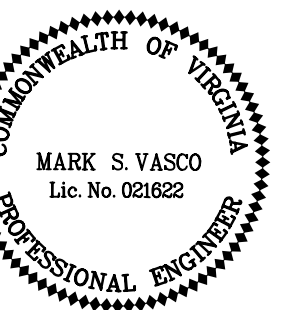




CITY OF
BRISTOL, VIRGINIA
300 LEE STREET
BRISTOL, VA 24201
(276) 645-7470

REVISIONS

DATE

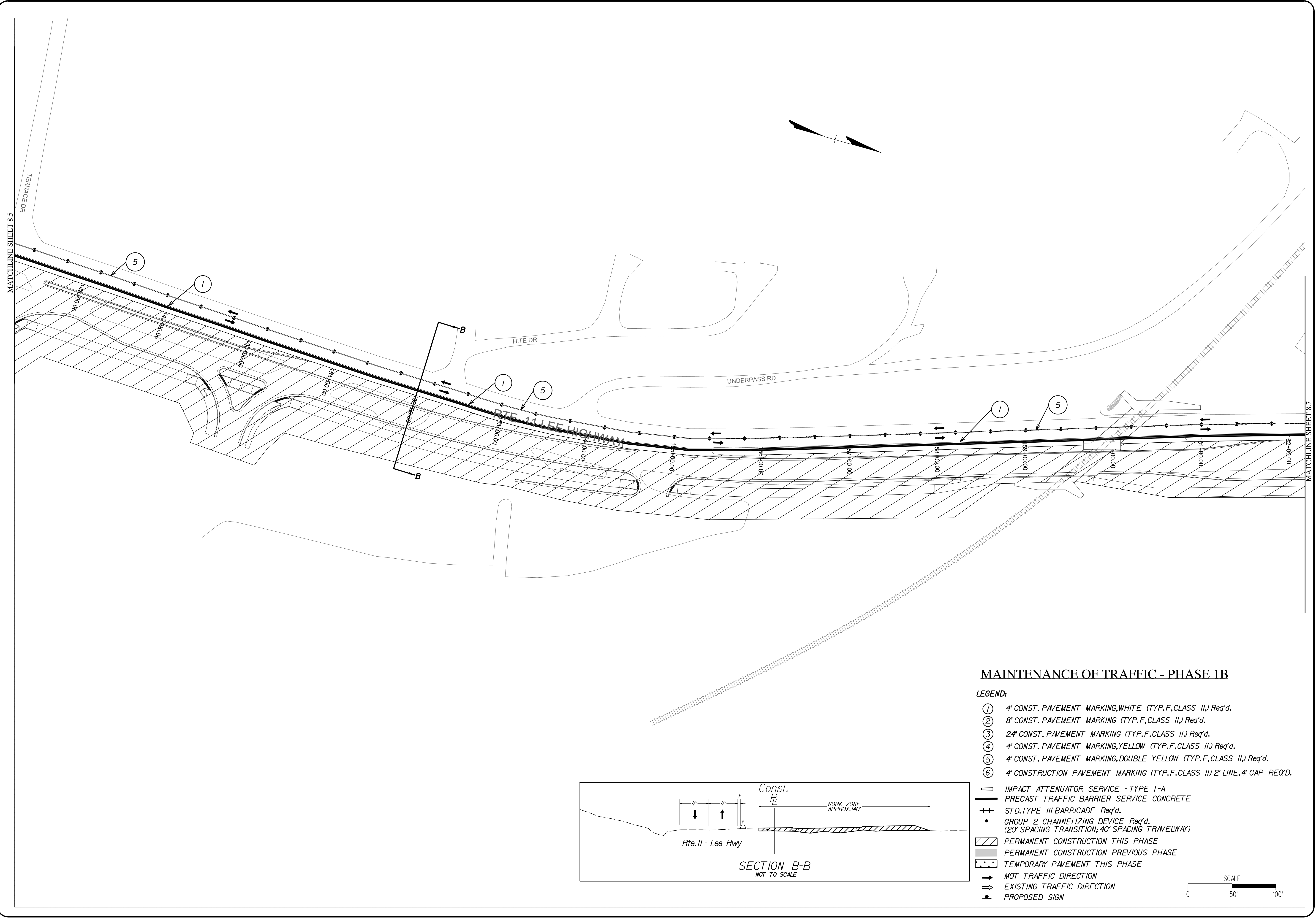


WIDENING OF
LEE HIGHWAY
MOT
UPC 105753

MAINTENANCE
OF TRAFFIC
PHASE 1B

DATE:
MAY 2017
DRAWING NO.
XXX-XXX
FILE NAME:
LEE HWY EXIT 5

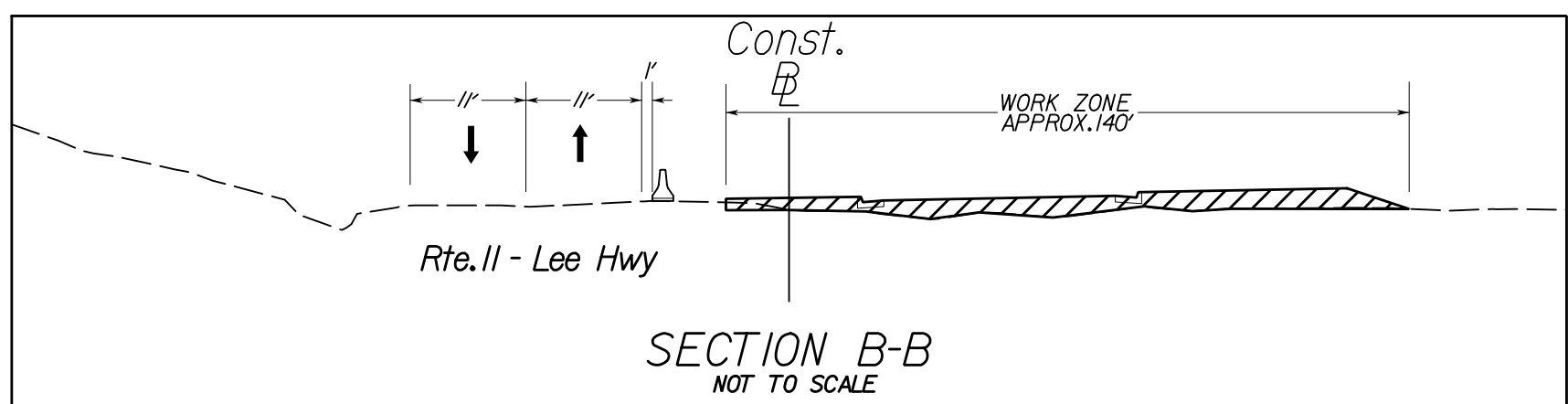
SHEET NUMBER
8.6 OF 11



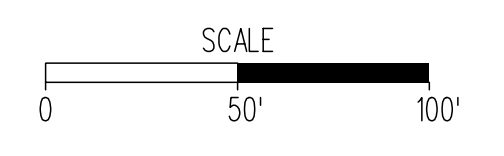
MAINTENANCE OF TRAFFIC - PHASE 1B

LEGEND:

- ① 4" CONST. PAVEMENT MARKING, WHITE (TYP.F, CLASS II) Req'd.
- ② 8" CONST. PAVEMENT MARKING (TYP.F, CLASS II) Req'd.
- ③ 24" CONST. PAVEMENT MARKING (TYP.F, CLASS II) Req'd.
- ④ 4" CONST. PAVEMENT MARKING, YELLOW (TYP.F, CLASS II) Req'd.
- ⑤ 4" CONST. PAVEMENT MARKING, DOUBLE YELLOW (TYP.F, CLASS II) Req'd.
- ⑥ 4" CONSTRUCTION PAVEMENT MARKING (TYP.F, CLASS II) 2' LINE, 4' GAP REQ'D.



- IMPACT ATTENUATOR SERVICE - TYPE 1-A
- PRECAST TRAFFIC BARRIER SERVICE CONCRETE
- ++ STD. TYPE III BARRICADE Req'd.
- GROUP 2 CHANNELIZING DEVICE Req'd. (20' SPACING TRANSITION; 40' SPACING TRAVELWAY)
- ▨ PERMANENT CONSTRUCTION THIS PHASE
- ▩ PERMANENT CONSTRUCTION PREVIOUS PHASE
- ⋯ TEMPORARY PAVEMENT THIS PHASE
- MOT TRAFFIC DIRECTION
- ⇌ EXISTING TRAFFIC DIRECTION
- PROPOSED SIGN



7/17/2017