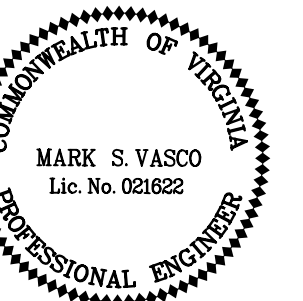




CITY OF
BRISTOL, VIRGINIA
300 LEE STREET
BRISTOL, VA 24201
(276) 645-7470

REVISIONS

DATE



WIDENING OF
LEE HIGHWAY
MOT
UPC 105753

MAINTENANCE
OF TRAFFIC
PHASE 2C

DATE:

MAY 2017

DRAWING NO.

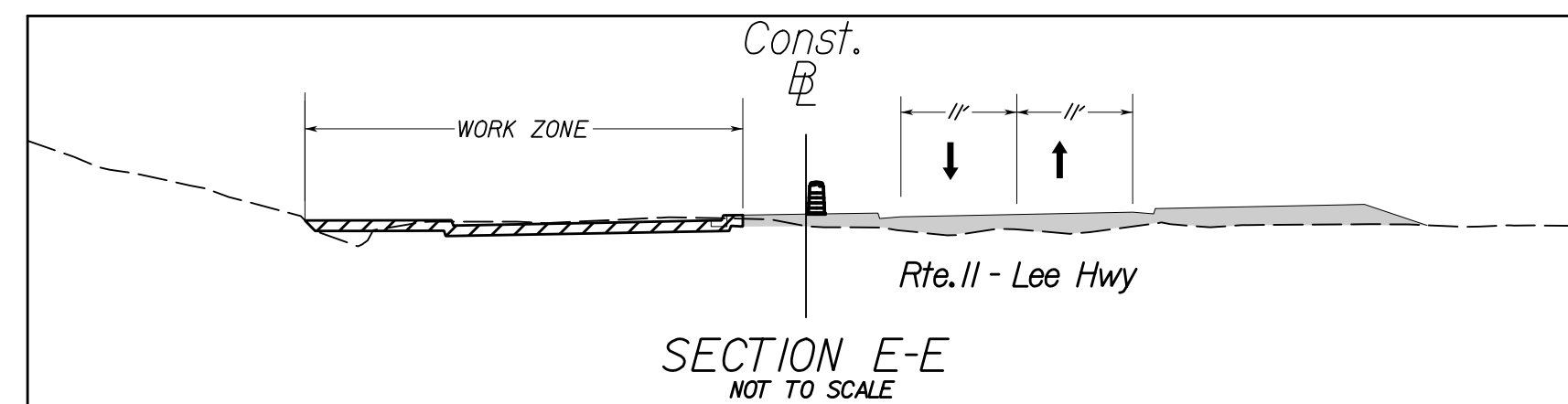
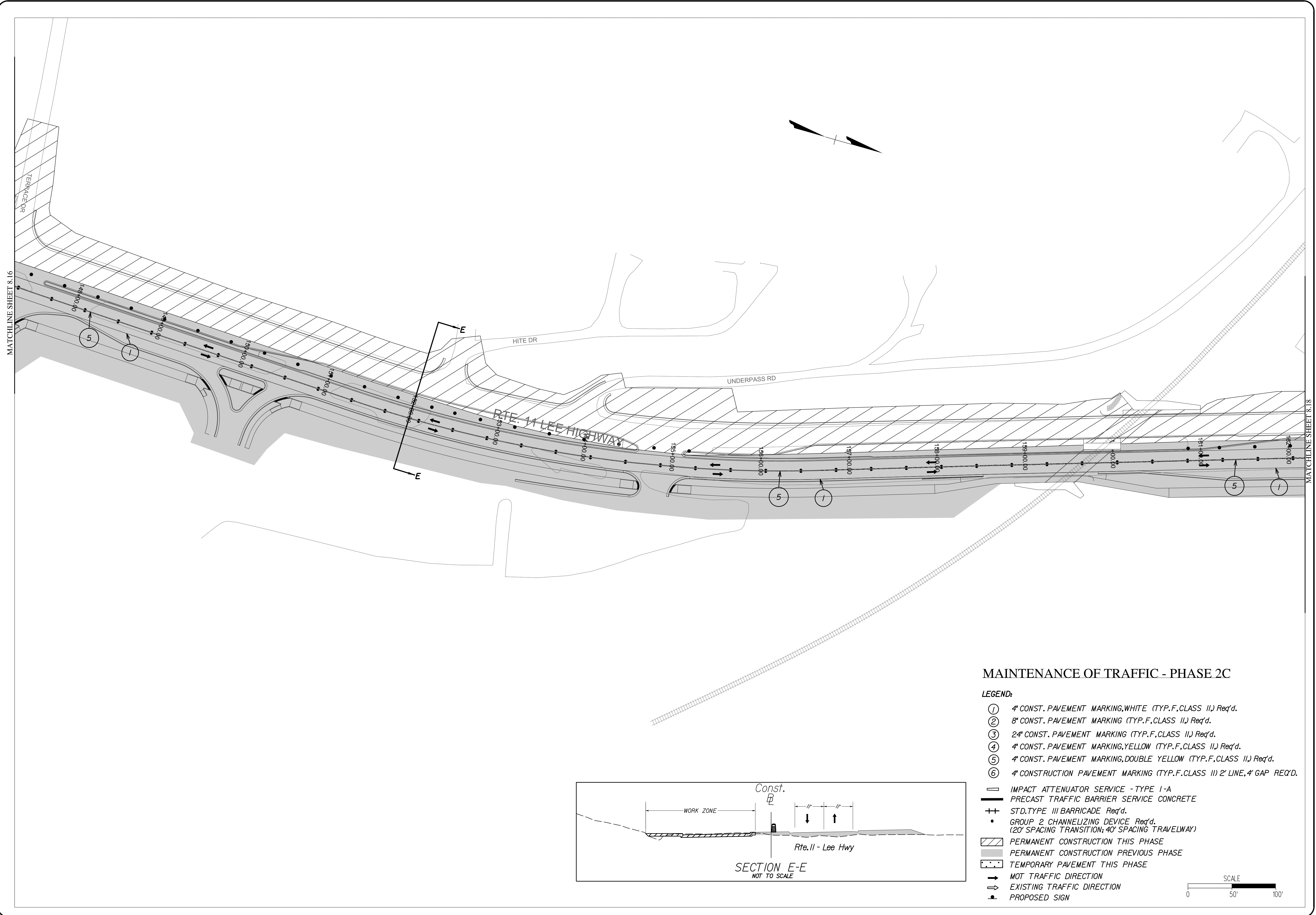
XXX-XXX

FILE NAME:

LEE HWY EXIT 5

SHEET NUMBER

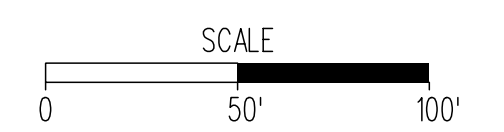
8.17 OF 11



MAINTENANCE OF TRAFFIC - PHASE 2C

LEGEND:

- ① 4" CONST. PAVEMENT MARKING, WHITE (TYP. F, CLASS II) Req'd.
- ② 8" CONST. PAVEMENT MARKING (TYP. F, CLASS II) Req'd.
- ③ 2" CONST. PAVEMENT MARKING (TYP. F, CLASS II) Req'd.
- ④ 4" CONST. PAVEMENT MARKING, YELLOW (TYP. F, CLASS II) Req'd.
- ⑤ 4" CONST. PAVEMENT MARKING, DOUBLE YELLOW (TYP. F, CLASS II) Req'd.
- ⑥ 4" CONSTRUCTION PAVEMENT MARKING (TYP. F, CLASS II) 2' LINE, 4' GAP REQ'D.
- ▬ IMPACT ATTENUATOR SERVICE - TYPE I-A
- ▬ PRECAST TRAFFIC BARRIER SERVICE CONCRETE
- ++ STD. TYPE III BARRICADE Req'd.
- GROUP 2 CHANNELIZING DEVICE Req'd. (20' SPACING TRANSITION; 40' SPACING TRAVELWAY)
- ▨ PERMANENT CONSTRUCTION THIS PHASE
- ▩ PERMANENT CONSTRUCTION PREVIOUS PHASE
- ▬ TEMPORARY PAVEMENT THIS PHASE
- MOT TRAFFIC DIRECTION
- - - - - EXISTING TRAFFIC DIRECTION
- PROPOSED SIGN



7/17/2017